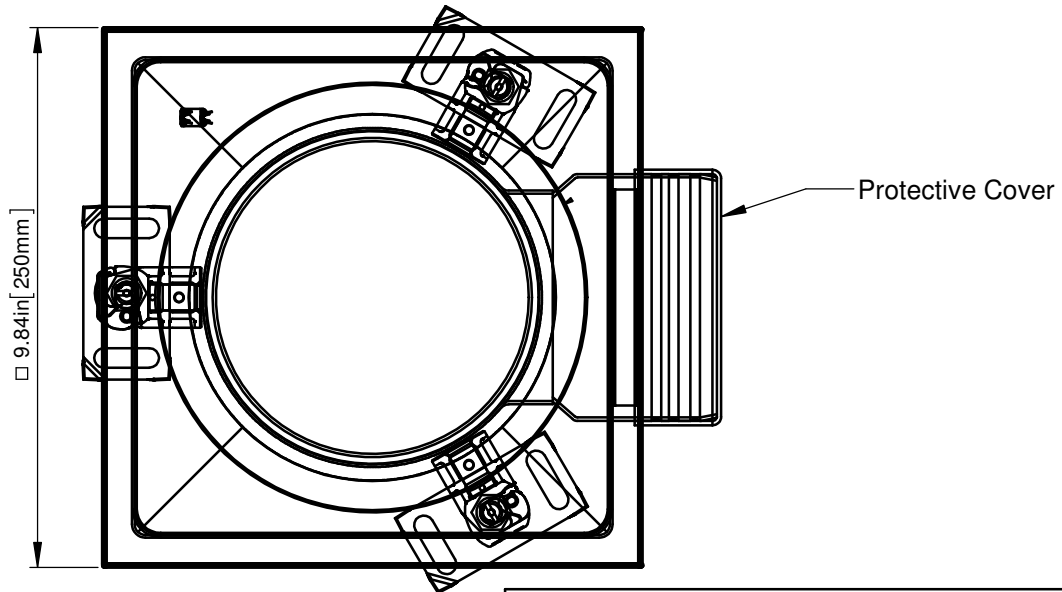
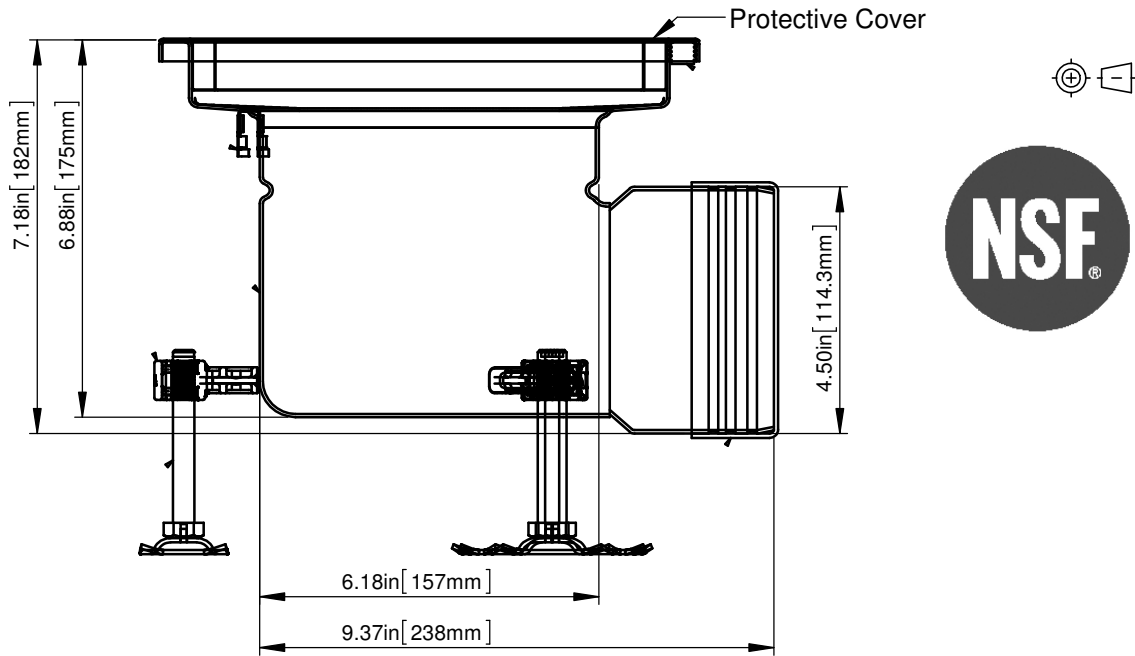


ACO Building Drainage

ACO 10in HYGIENIC FLOOR DRAIN, FIXED HEIGHT, 4in HORIZONTAL OUTLET

ACO Specification Information



Part no.	Material	Weight lbs.	Flow Rate GPM
445120	AISI 304	7.2	131.7
445186	AISI 316L	7.2	131.7

**Specification Clause**

ACO 10" Hygienic Floor Drain with 4in horizontal outlet. Made from AISI 304 or AISI 316L. Certified to NSF/ANSI/3-A Standard 14159-1.

ACO recommends checking local plumbing codes prior to installation.

**ACO Polymer Products, Inc.**

**Northeast Sales Office**  
 9470 Pinecone Dr.  
 Mentor, OH 44060  
 Tel: (440) 639-7230  
 Toll Free: (800) 543-4764  
 Fax: (440) 639-7235

**West Sales Office**  
 825 W Beechcraft St.  
 Casa Grande, AZ 85122  
 Tel: (520) 421-9988  
 Toll Free: (866) 809-4506  
 Fax: (520) 421-9899

**Southeast Sales Office**  
 4211 Pleasant Road  
 Fort Mill, SC 29708  
 Tel: (800) 543-4764  
 Toll Free: (800) 543-4764  
 Fax: (803) 802-1063

Follow us on



**Electronic Contact:**  
 info@acousa.com  
 www.acobuildingdrainage.us



May 2016 ACO Polymer Products, Inc. This information is believed to be accurate but it is not guaranteed to be so. We cannot assume liability for results that buyer obtains with our products since conditions of use are beyond the control of the company. It is the customer's responsibility to evaluate suitability and safety of product for his own use. ACO Polymer Products, Inc. reserves the right to change the product and specifications without notice.