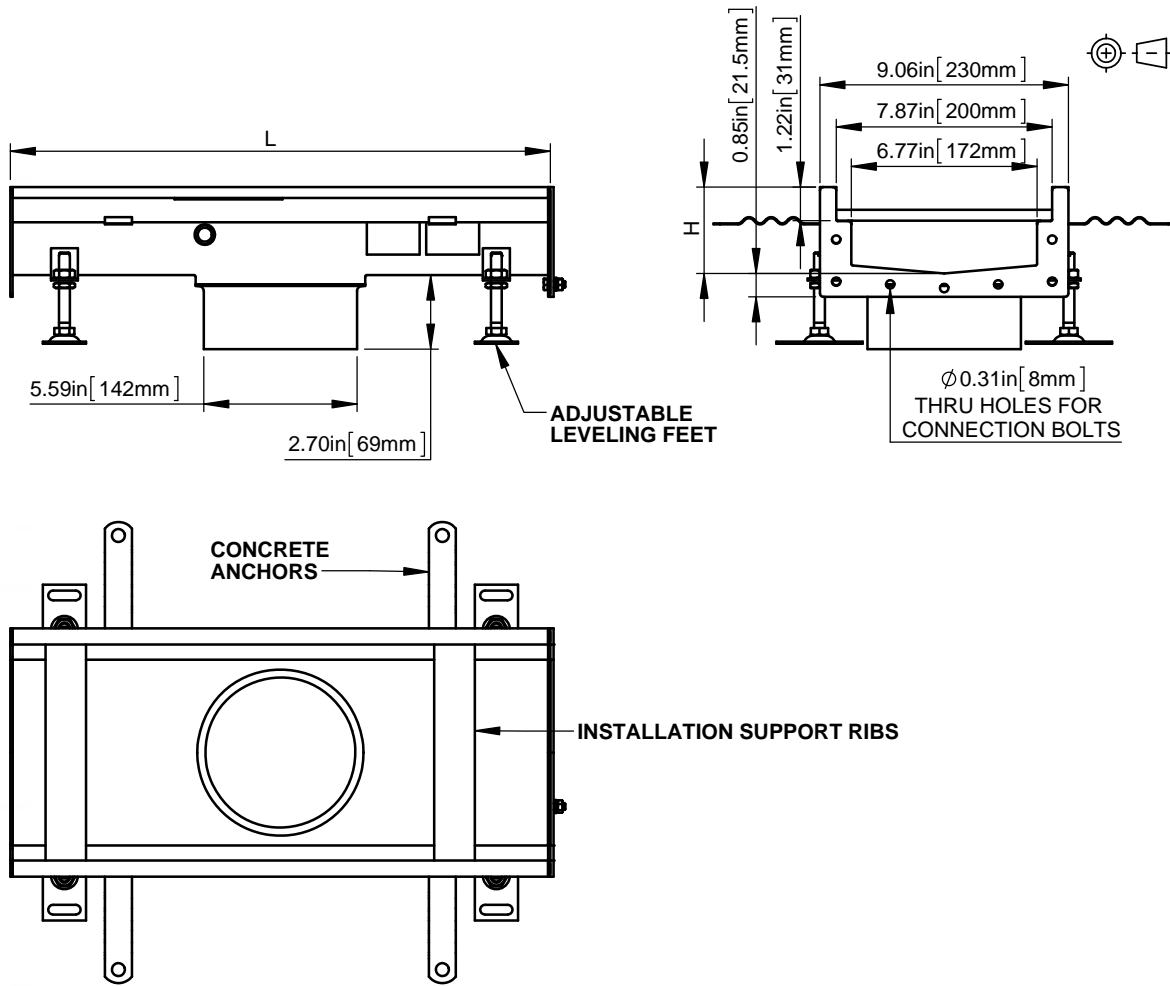


**ACO Building Drainage**  
**ACO MODULAR 200 CENTER OUTLETS, D142**

**ACO Specification Information**



Part No	Material	H (in)	L (in)	Weight (lbs)
409916	AISI 304	2.36	19.69	7.05
409917	AISI 304	2.76	19.69	7.94
409918	AISI 304	3.15	19.69	8.38
409919	AISI 304	3.54	19.69	8.60
409920	AISI 304	3.94	19.69	9.04
409921	AISI 304	4.33	19.69	9.26
409922	AISI 304	4.72	19.69	9.48
409923	AISI 304	5.51	19.69	10.14

Part No	Material	H (in)	L (in)	Weight (lbs)
409924	AISI 316L	2.36	19.69	7.05
409925	AISI 316L	2.76	19.69	7.94
409926	AISI 316L	3.15	19.69	8.38
409927	AISI 316L	3.54	19.69	8.60
409928	AISI 316L	3.94	19.69	9.04
409929	AISI 316L	4.33	19.69	9.26
409930	AISI 316L	4.72	19.69	9.48
409931	AISI 316L	5.51	19.69	10.14

**Specification Clause**

ACO Modular 200 center outlets. Overall height varies, see tables. Used with ACO 10" Floor Drains. Made from 16ga (1.5mm) AISI 304 or AISI 316L, pickle passivated finish. All channels provided with NBR seal and connection bolts on one side. Multiple grate options available.

ACO recommends checking local plumbing codes prior to installation.

**ACO Polymer Products, Inc.**

**Northeast Sales Office**  
 9470 Pinecone Dr.  
 Mentor, OH 44060  
 Tel: (440) 639-7230  
 Toll Free: (800) 543-4764  
 Fax: (440) 639-7235

**West Sales Office**  
 825 W Beechcraft St.  
 Casa Grande, AZ 85122  
 Tel: (520) 421-9988  
 Toll Free: (866) 809-4506  
 Fax: (520) 421-9899

**Southeast Sales Office**  
 4211 Pleasant Road  
 Fort Mill, SC 29708  
 Tel: (800) 543-4764  
 Toll Free: (800) 543-4764  
 Fax: (803) 802-1063

Follow us on



**Electronic Contact:**  
 info@acousa.com  
 www.acobuildingdrainage.us



May 2016 ACO Polymer Products, Inc. This information is believed to be accurate but it is not guaranteed to be so. We cannot assume liability for results that buyer obtains with our products since conditions of use are beyond the control of the company. It is the customer's responsibility to evaluate suitability and safety of product for his own use. ACO Polymer Products, Inc. reserves the right to change the product and specifications without notice.