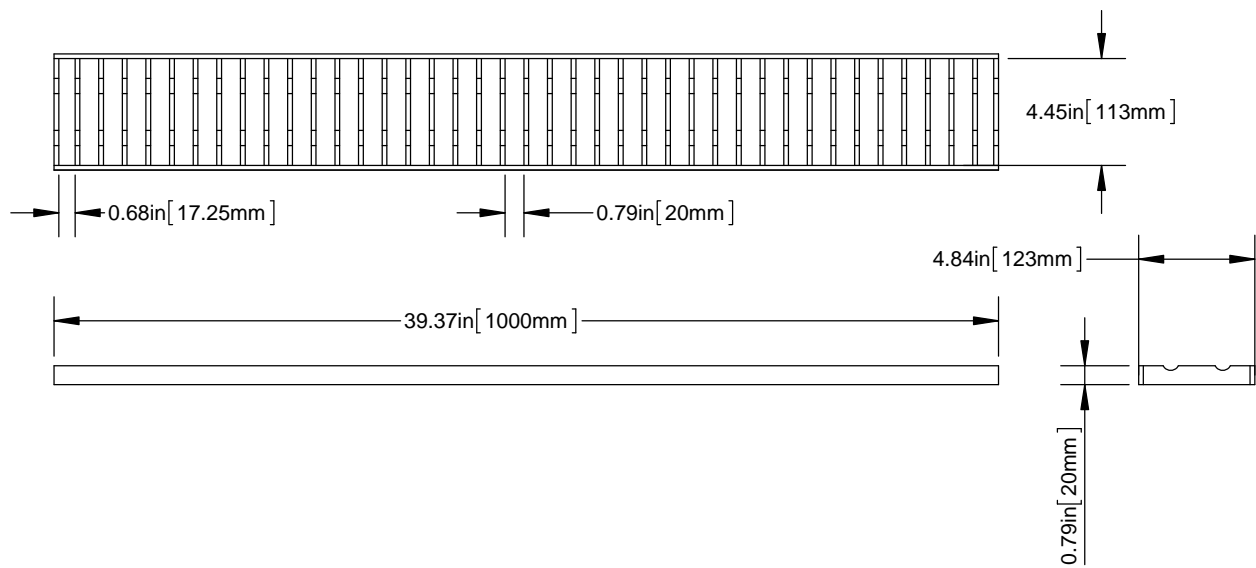




ACO Specification Information



Part no.	Material	Weight lbs.	Intake sq in.	EN1433 Load Class
21741	AISI 304	11.6	139.2	C250
21746	AISI 316L	11.6	139.2	C250

**Specification Clause**

Used with ACO Modular 125 channels. Made from AISI 304 or AISI 316L. Load class per EN1433.

ACO recommends checking local plumbing codes prior to installation.

**ACO Polymer Products, Inc.**

**Northeast Sales Office**  
 9470 Pinecone Dr.  
 Mentor, OH 44060  
 Tel: (440) 639-7230  
 Toll Free: (800) 543-4764  
 Fax: (440) 639-7235

**West Sales Office**  
 825 W Beechcraft St.  
 Casa Grande, AZ 85122  
 Tel: (520) 421-9988  
 Toll Free: (866) 809-4506  
 Fax: (520) 421-9899

**Southeast Sales Office**  
 4211 Pleasant Road  
 Fort Mill, SC 29708  
 Tel: (800) 543-4764  
 Toll Free: (800) 543-4764  
 Fax: (803) 802-1063

Follow us on



**Electronic Contact:**  
 info@acousa.com  
 www.acobuildingdrainage.us

