

ACO Hygienic Floor Drain - fixed height

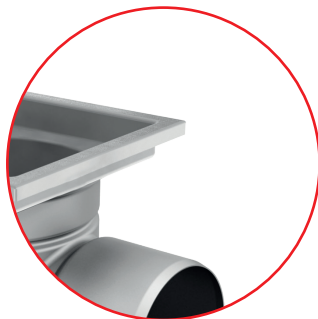
Installation manual



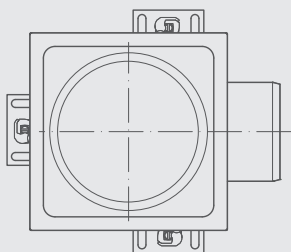
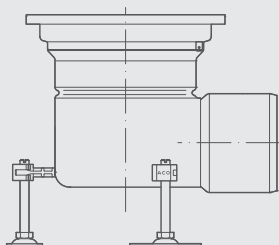


A6

1 - 4



A6





A6

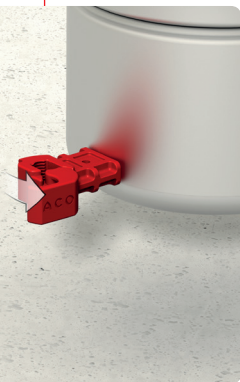
1



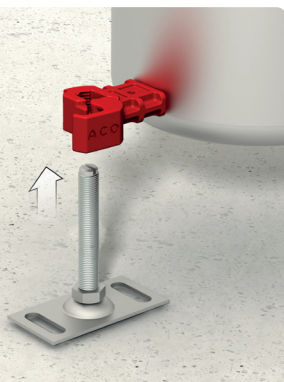
2



3

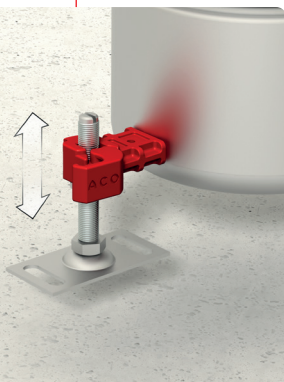


4

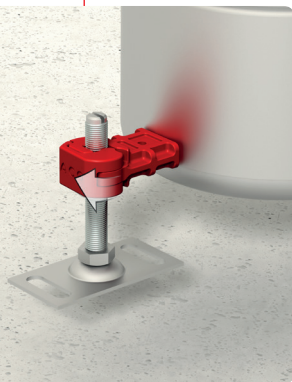


A6

5



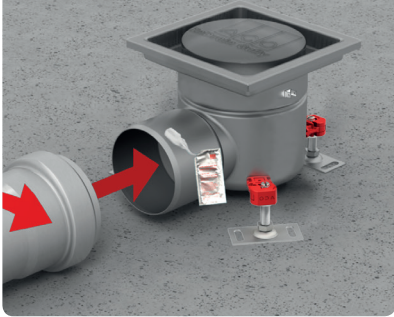
6



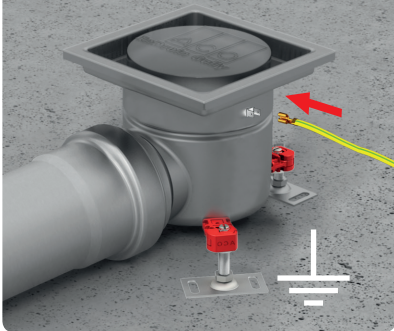


A6

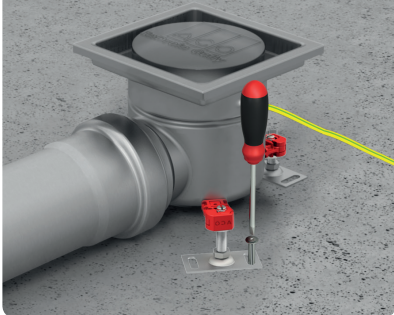
1



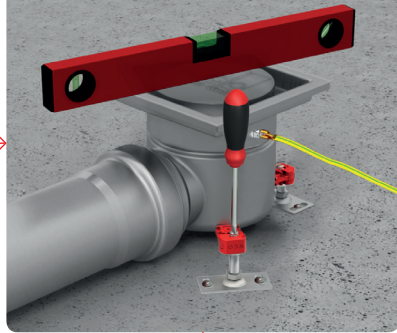
2



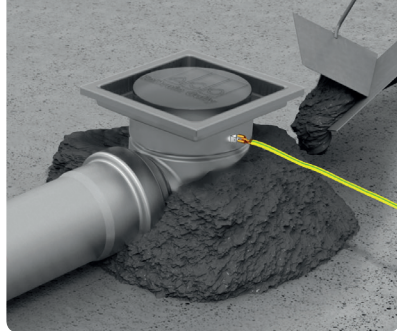
3



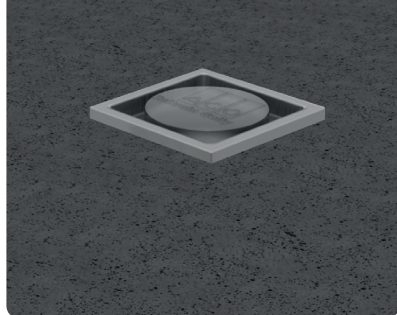
4



5



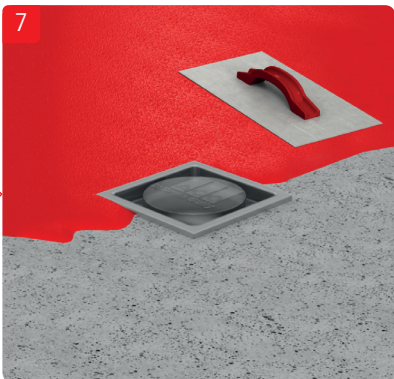
6



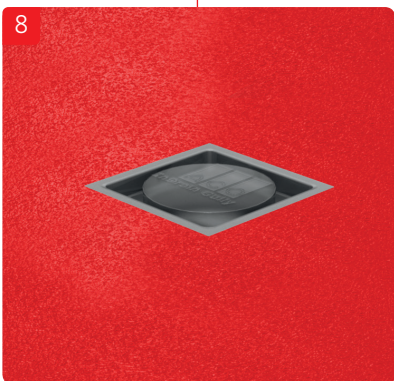


A6

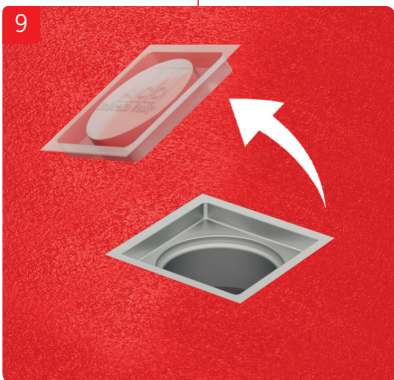
7



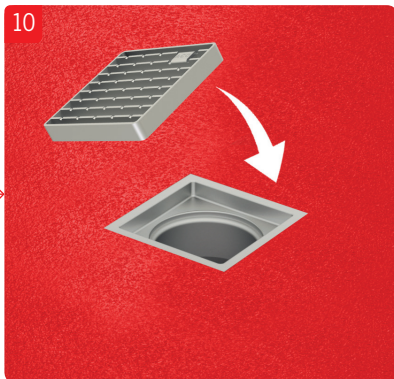
8



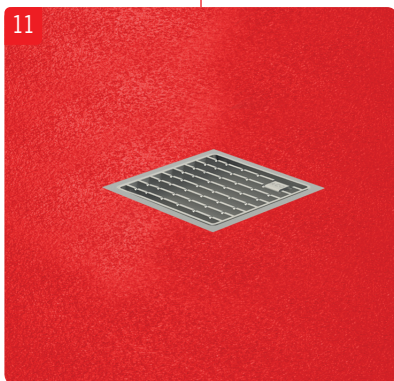
9



10



11



ACO. The future of drainage

ACO Polymer Products, Inc.

West Sales Office

825 W. Beechcraft St.
Casa Grande, AZ 85122
Tel: (520) 421-9988
Toll Free: (888) 490-9552
Fax: (520) 421-9899

Electronic Contact:

info@acousa.com
www.acousa.com

Northeast Sales Office

9470 Pinecone Dr.
Mentor, OH 44060
Tel: (440) 639-7230
Toll Free: (800) 543-4764
Fax: (440) 639-7235

Follow us on:



Southeast Sales Office

4211 Pleasant Road
Fort Mill, SC 29708
Toll Free: (800) 543-4764
Fax: (803) 802-1063